

# DOMINO

PLASMOID

& PLASMOID STABILIZED



**zonzini**<sup>®</sup>

**TAKING  
THINGS TO  
THE NEXT  
LEVEL**

**zonzini®**

STAIRCLIMBERS

# DOMINO

## PLASMOID

*The smart tracked stair climbing trolley.  
For all types of loads.*



# DOMINO

## PLASMOID STABILIZED

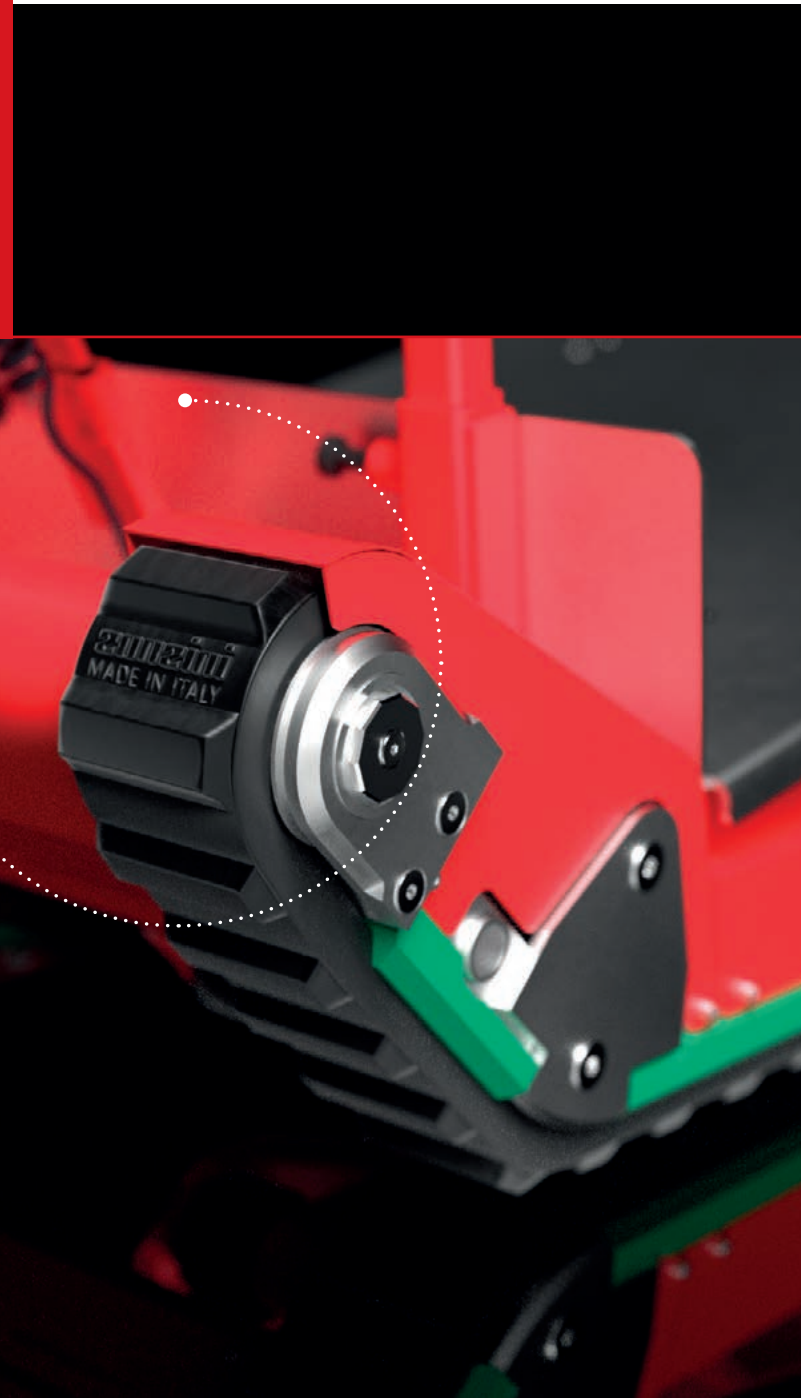
*The smart tracked stair climbing trolley.  
With load stabilisation on the landing.*





## ZONZINI CRAWLER TRACKS

*Probably the best in the world.  
They guarantee grip and safety on various  
types of floors.*



Zonzini crawler tracks are obtained with highly advanced moulding processes; the secret mix has been fine-tuned over the years. In fact, Zonzini has always manufactured tracked stair climbing trolleys. All the experience, know-how and customer feedback have come together

to create what are arguably the best tracks ever built. With a Zonzini tracked stair climbing trolley you can go almost anywhere, from the most delicate marble or parquet surfaces to the rougher ones on site or outdoors.



The friction changes substantially when transitioning from a smooth to a bumpy surface. Zonzini crawler tracks are built to last over time.



Should the crawler tracks be damp or wet due to travelling outdoors, it is best to fully dry them before proceeding on the stairs.



# LOAD CALIBRATION

*The smart stair climbing trolley.*



Each load has a different centre of gravity from the other. For safe transport, the centre of gravity of the load must be correctly positioned along the crawler tracks. Determining the correct position of the angle of the load surface is not always easy for the operator, therefore the "Calibration" function is a huge help.

## Let him guide you.

Domino Plasmoid and Domino Plasmoid Stabilized are equipped with highly advanced software, which takes into account a series of parameters and suggests the correct load inclination to the operator.

By enabling the "Automatic" function, the load is calibrated by approximating its centre of gravity, based on which an angle of the loading surface is suggested by the device.

# INDEPENDENT CRAWLER TRACKS

*Designed for any kind of stairs.*



Moving the joystick to the side results in 360-degree rotation on the landing. Domino Plasmoid and Domino Plasmoid Stabilized are a concentrate of power and technology, and ensure rotation on narrow landings.

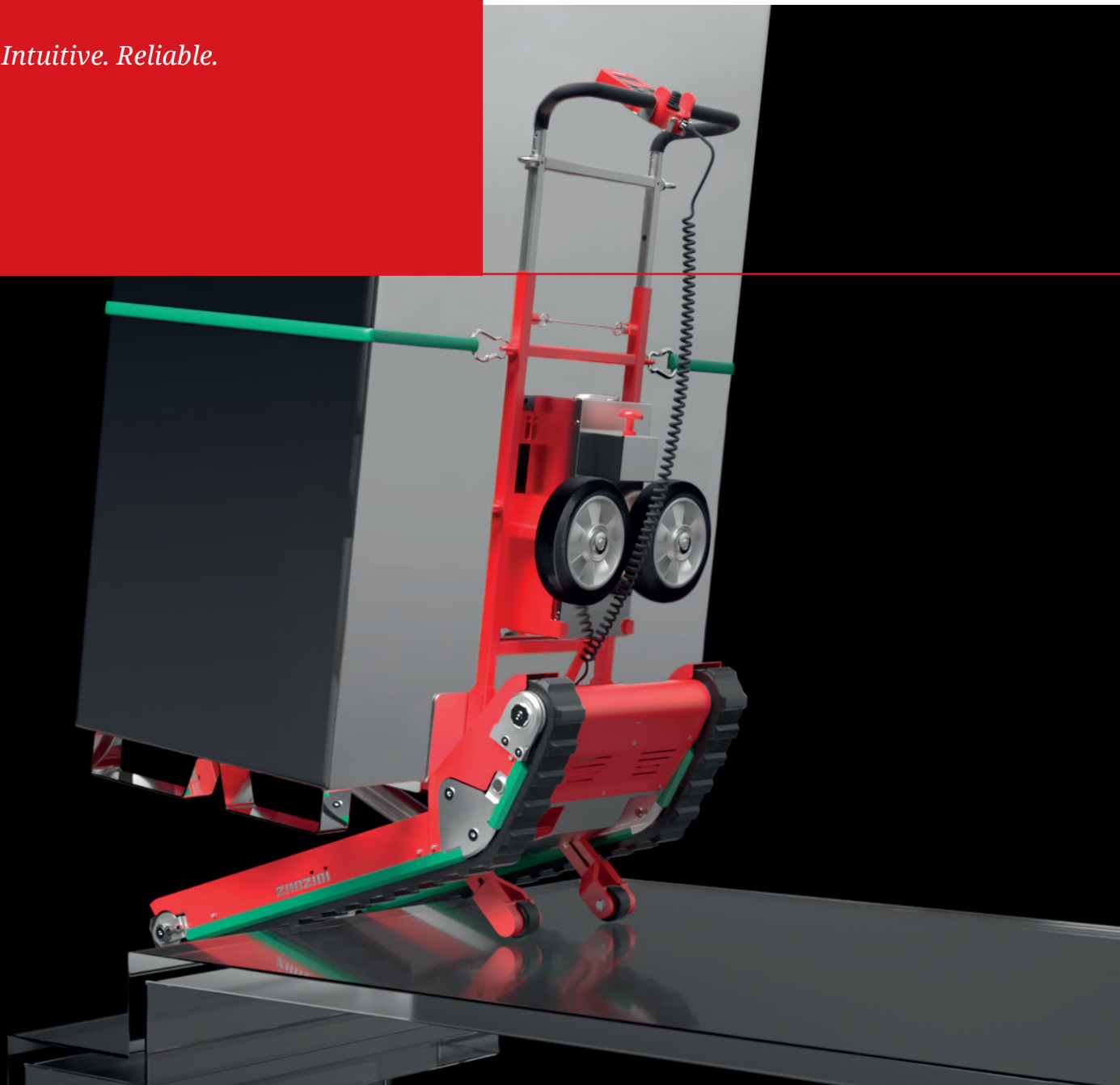
The advanced Plasmoid electronics modulate the current with precision, enabling to perform 360-degree rotations on narrow landings but also to travel helical staircases.

L'operatore deve scegliere la direzione più idonea e comandare il dispositivo con il joystick. The operator must choose the most suitable direction and control the device via the joystick.



## LOAD STABILISATION

*Simple. Intuitive. Reliable.*



**Domino Plasmoid Stabilized** is equipped with integrated load stabilisation, which makes landing arrival and leaving easy and intuitive. Simply press the relevant control to

activate the stabiliser arm, which is equipped with sensors and programmed to maintain contact with the landing as the device inside it advances.



The sensors installed on the stabilising arm detect the floor and maintain contact with it, thus making the landing arrival and leaving manoeuvre easy and intuitive. The speed of the device is modulated by the electronics. The operator simply has to move the joystick backwards until it is completely inside the landing.



The stabilising arm provides real help to the operator both upon arrival on the landing but also during the leaving step when descending a staircase. By using Domino Plasmoid Stabilized, the operator no longer has to deal with load management in the transition between staircase and landing and vice-versa.

# DOMINO PLASMOID

*Suitable for all types of load*



Domino Plasmoid and Domino Plasmoid Stabilized are designed to fully unload the weight carried on the Zonzini crawler tracks and thus leaving the operator without the need to physically interact with the load. Regardless of load type, the level of comfort for the end user remains unaltered.



## It is a matter of control.

Domino Plasmoid and Domino Plasmoid Stabilized are the world reference point for the transport of heavy material on staircases. They are designed and built to allow the handling of loads highly different from

each other in terms of size and weight. Il feeling ed il controllo di cui dispone l'operatore, restano imparagonabili. The feeling and control available to the operator remain incomparable.







OPTIONALS

zunzini

**Photocopier base with wheels:**

allows movement on flat surfaces on 3 wheels. It is adjustable in width up to 81 cm and in depth up to 84 cm to adapt to most circumstances. It is equipped with retractable slides to allow the photocopier to be loaded without being lifted. It has a capacity of 400 Kg.



**Photocopier base without wheels:**

It is adjustable in width up to 81 cm and in depth up to 84 cm to adapt to most circumstances. It is equipped with retractable slides to allow the photocopier to be loaded without being lifted. It has a capacity of 400 Kg.



**Adjustable base height:**

It is adjustable in width up to 81 cm and with a capacity of 400 Kg.



**Wheeled base:**

It supports the load on 4 wheels, therefore is suitable for long distance transportation on flat surfaces. It has a capacity of 400 Kg.



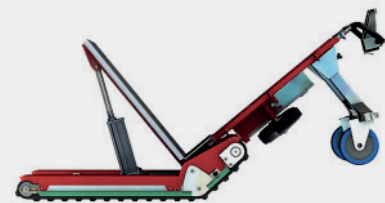
**Aluminium ramp:**

It is required to load and unload the goods from the van by using Domino Plasmoid and Domino Plasmoid Stabilized. The dimensions are 67 cm x 8 cm x 200 cm and it has a capacity of 600 Kg.



**Central arm for vans:**

It is used in conjunction with the "Aluminium ramp" accessory and allows high loads to enter the van, which would otherwise not pass. It connects to the vertical structure of the device.



**Base for narrow landings:**

Simple and easy-to-use. It offers the advantage of avoiding the first step of the next flight of stairs in order to significantly reduce the rotation space required.



**Tilted base for vans:**

It is useful in the case of vans with low loading height. This accessory allows to load/unload from the van standing outside, while having the load surface of the stair climbing trolley at the level of that of the van.



**Accessory for doors and windows as well as high loads:**

It is applied to the structure of the stair climbing trolley and allows you to transport high loads such as doors and windows so they can be rotated with respect to the crawler track axis.



**Vehicle battery charger:**

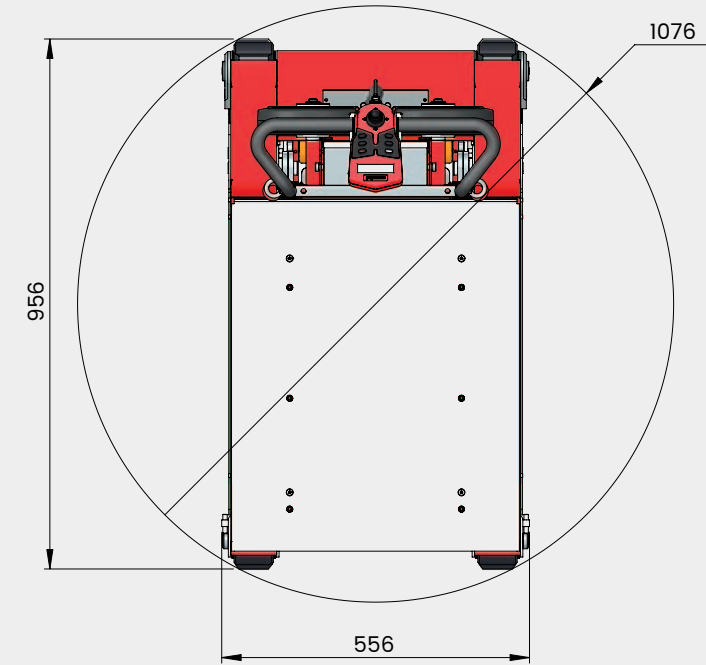
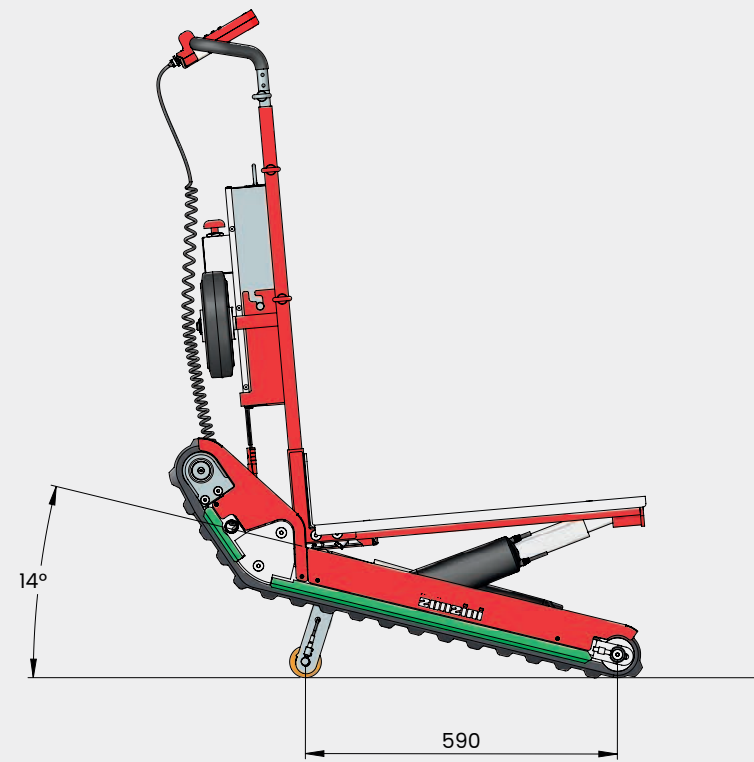
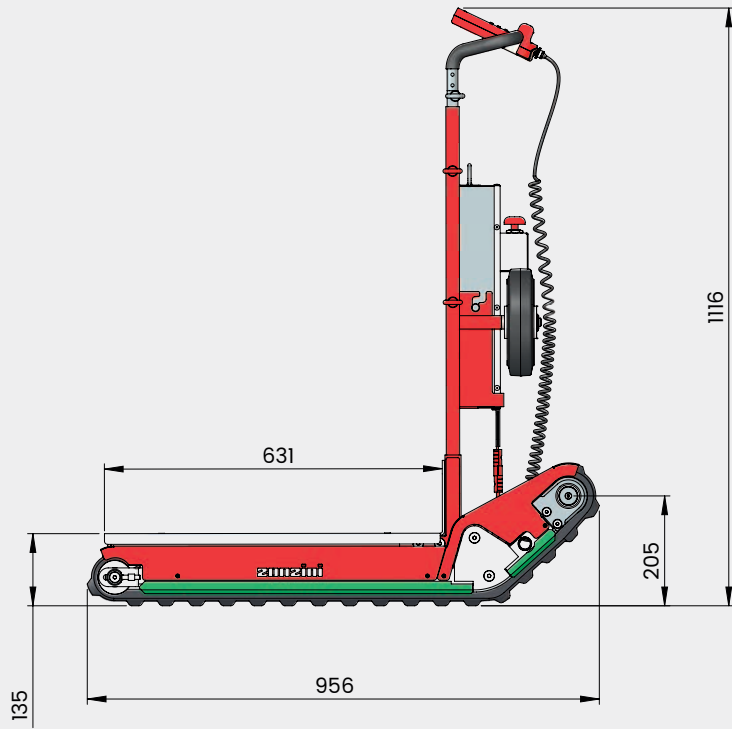
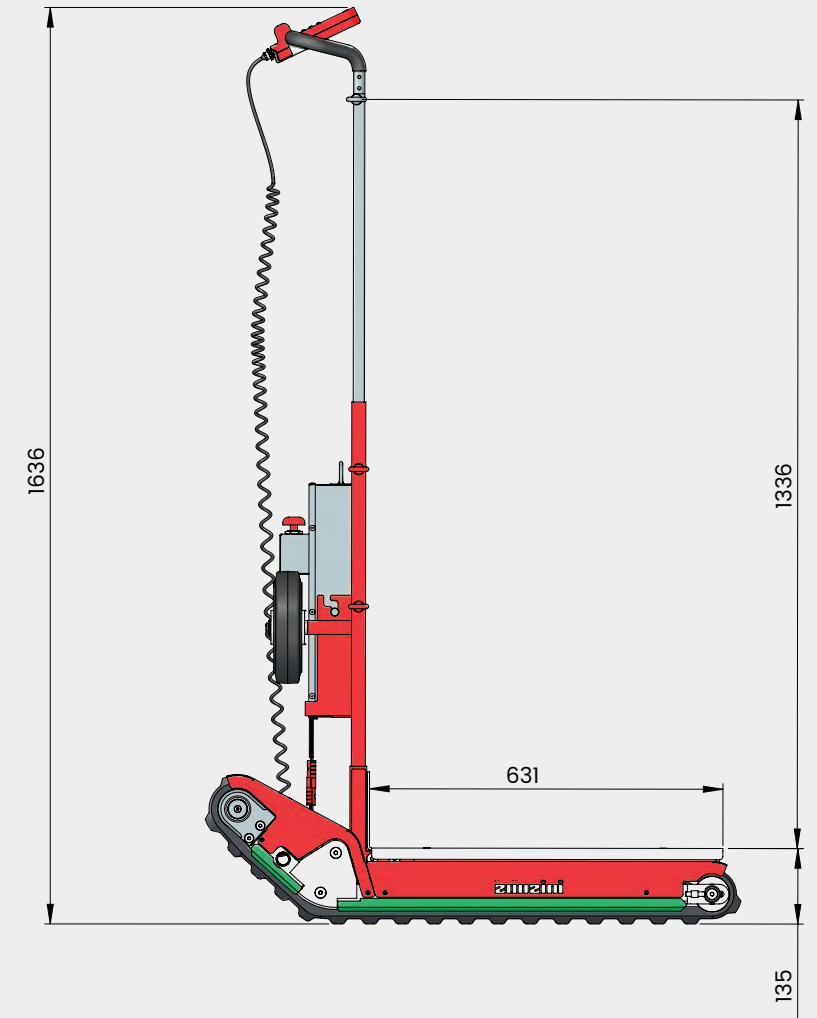
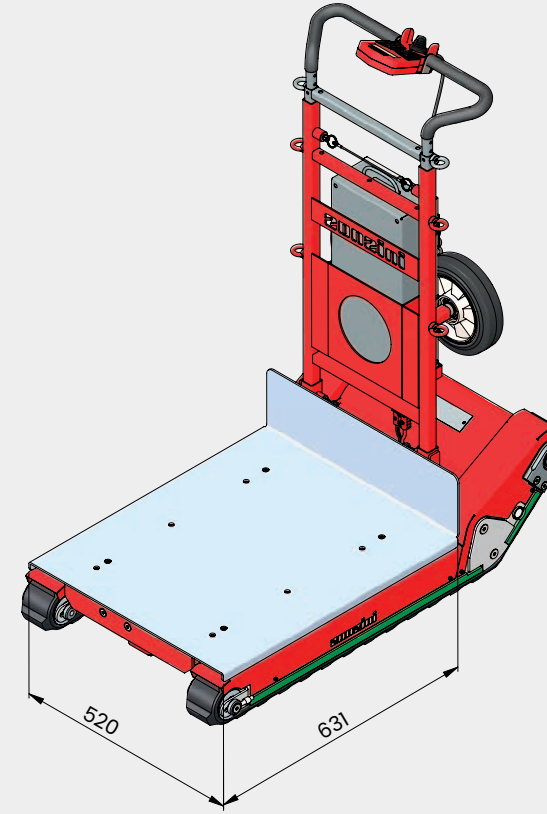
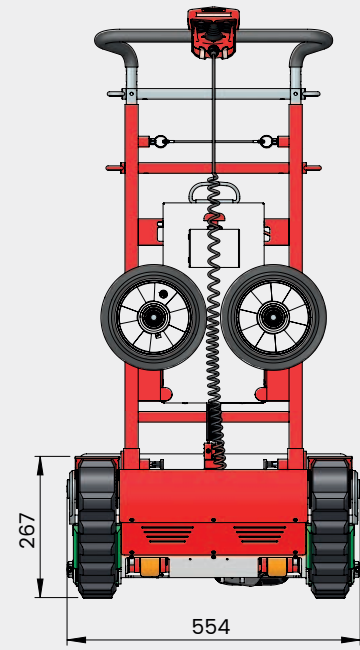
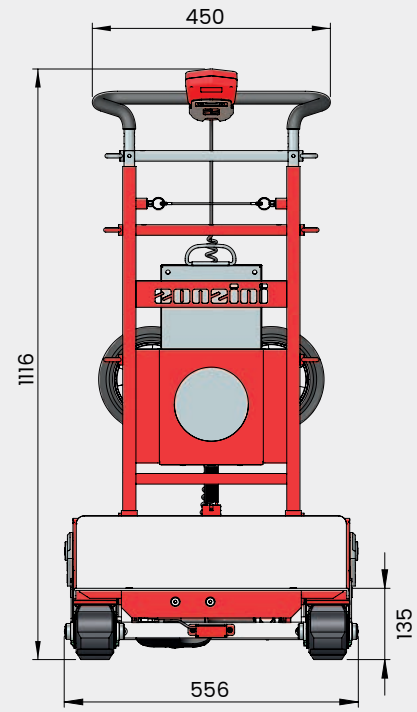
Allows you to keep the battery box charged even on the go



**Extra battery box:**

It is interchangeable with the standard one and allows you to extend the working autonomy of the device.





# TECHNICAL DATA







**Domino Plasmoid / Domino Plasmoid Stabilized**

**Available capacities:**

160 / 300 /400 Kg

**Stair climbing trolley weight without battery:**

Domino Plasmoid:

84 Kg

Domino Plasmoid Stabilized:

94 Kg

**Battery pack weight:**

Domino Plasmoid:

18 Kg

Domino Plasmoid Stabilized:

18 Kg

**Structure adjustable in height:**

Vertical structure detachable with respect to crawler track chassis

**Travel speed on stairs**

**- Adjustable via the proportional joystick:**

Domino Plasmoid / Domino Plasmoid Stabilized:

160 Kg: 5 sec / metre

300 Kg: 7 sec / metre

400 Kg: 10 sec / metre

**Type of battery**

24V 20Ah

**Battery life\*:**

Domino Plasmoid / Domino Plasmoid Stabilized

160 Kg: about 1000 steps

300 Kg: about 750 steps

400 Kg: about 500 steps

\*The battery autonomy values provided are purely indicative and not binding and depend on multiple factors such as compliance with recharging cycles, battery usage and storage temperature and its condition.

**Manoeuvring space on the landing:**

Domino Plasmoid / Domino Plasmoid Stabilized: 109 cm

**Degree of protection:**

IP54

**Standard equipment:**

Fixing strap

Battery charger

Standard base

\* Important: Zonzini s.r.l. is entitled to make changes to all products, even significant ones, without notice. The specified data is purely indicative and not contractually binding. For more detailed technical information, please email the manufacturer's customer service at [info@zonzini.it](mailto:info@zonzini.it)



# FOR OVER 40 YEARS

*For over 40 years we have evolved and established ourselves in designing electrical stairclimbers to meet all transportation needs.*



# TECHNOLOGY AND RELIABILITY

All our products ensure comfort during use, safety and reliability. They are manufactured according to an in-house quality standard that has made them synonymous with top quality for years, thus gaining trust from our customers.

We are aware that, in this sector, requirements vary from one customer to another, which is why our greatest value is to know how to listen.

Our customers have always been our most precious asset, and our priority is to listen to them and assist them. Therefore, the daily goal of our technicians is to analyse their every need in order to use this information to make improvements and develop increasingly advanced solutions.

2002

*More than 30 countries have chosen us as a benchmark company offering top-quality products.*

# WE OPERATE WORLDWIDE





**zonzini**<sup>®</sup>

STAIRCLIMBERS



**ZONZINI SRL**

Via Caravaggio, 8  
37053 Cerea, Verona, Italy

Tel. +39 0442 33 04 21

Fax +39 0442 33 24 06

E-mail: [info@zonzini.it](mailto:info@zonzini.it)

[www.zonzini.it](http://www.zonzini.it)

